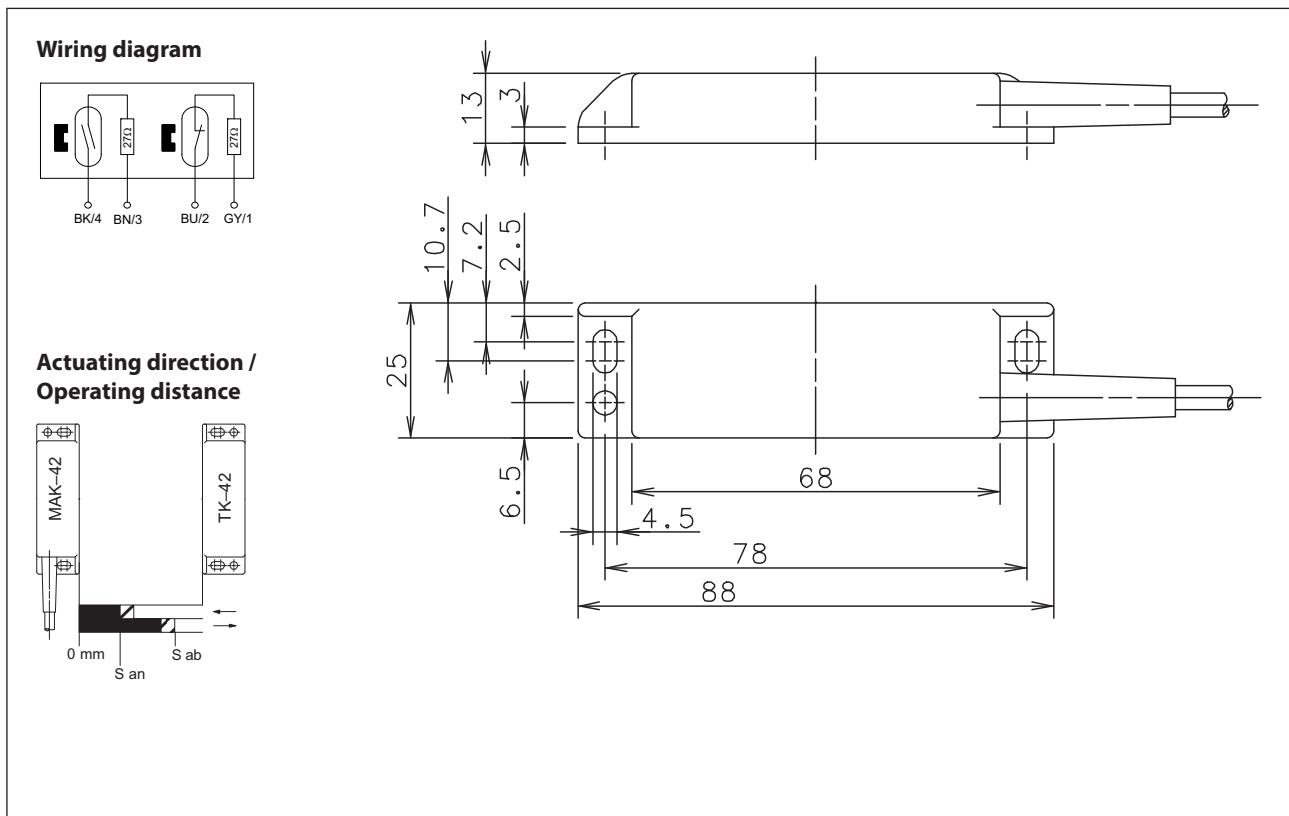


## Magnetic Switch Series MA-42

Description **MAK-4236-9 TÜV**

Article number **6490642303**



### Identifying characteristics in accordance with EN 60947-5-1 and EN 62246-1

Electrical data	
Assured operating distance	$S_{a_{an}} \geq 5 \text{ mm}$ $S_{a_{ab}} \leq 14 \text{ mm}$
Reference magnet	TK-42-CD (6402042301)
Output	N.O., N.C. combined
Max. voltage	30 V DC
Mechanical lifetime	$3 \times 10^8$ switchings, however, according to the load resetability
Repeat accuracy	R 0,1 x S under same geometrical conditions at the same temperature (within the boundaries of $S_{an}$ and $S_{ab}$ )
Operating frequency	1 Hz

Mechanical data	
Enclosure	PA 6, black (encapsulated reed contact)
Ambient air temperature	-5 °C ... +70 °C
Type of protection	IP 67 according to IEC 60529
Connection	Cable 4 x 0,25 mm <sup>2</sup> x 9 m; PVC - Outer jacket, black
Assembly position	optional
Pollution degree	3 acc. to EN 60947-1

EU Conformity
acc. to directive 2014/30/EU

Notes
<p>When this magnetic switch is used together with the related magnet, like TK-42-CD, and a suitable safety control unit, like MÜZ-□02/D24-FL□□□, it supports a safety system up to PL d according to EN ISO 13849-1 and up to SIL CL 2 according to EN 62061.</p> <p>These coded magnetic systems offer manipulation-safe locking and can not be actuated with simple tools like depolarised magnets.</p> <p>The sensor units are to be operated free from impact and vibration.</p> <p>Tightening torque of screws: 1,25 Nm ±0,25 Nm</p>